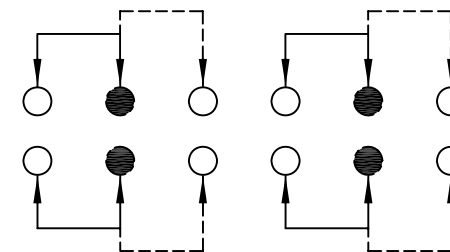
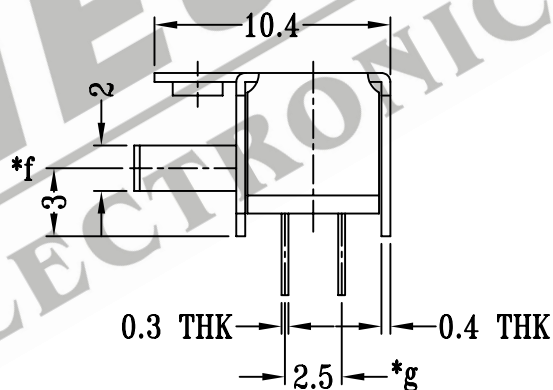
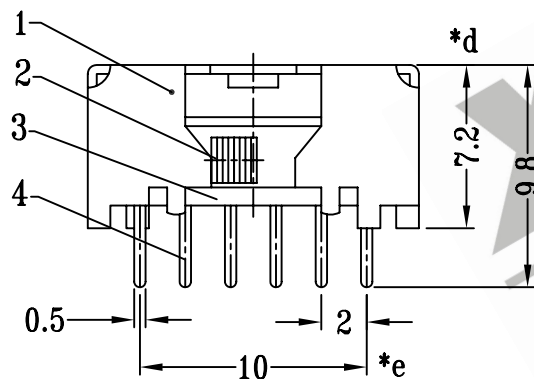
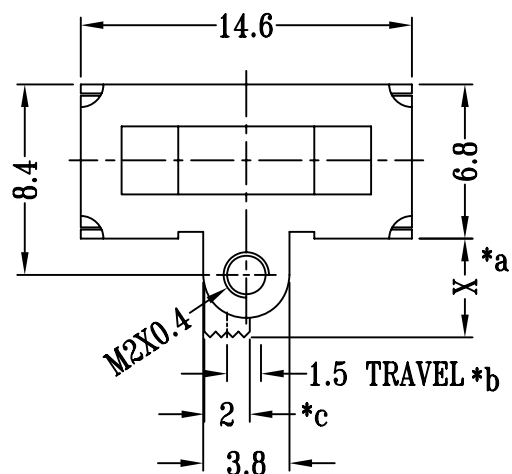
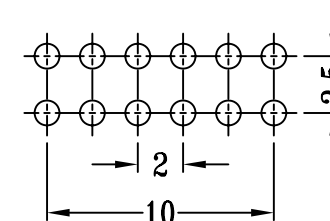


CAD FILE:



SCHEMATIC (NON-SHORTING)



P.C.B LAYOUT

注:带"*"表示关键尺寸(7个)

NO.	PART NAME	MATERIAL	Q'TY	FINISHING	TOLERANCE UNLESS SPECIFIED	SHENZHEN XIEJIA ELECTRONICS CO.,LTD.				
8						TITLE : HORIZONTAL SLIDE SWITCH MODEL: SK-42C07				
7										
6	SPRING PLATE	STAINLESS STEEL	1	NATURAL	WITHIN: 1.5±0.1mm OVER : 1.5±0.2mm	ISSUE	DATE	DESCRIPTIONS		APPD.
5	CONTACT CLIP	PBS	4	Ag CLAD				DRWG NO.: XJ-DR-SK42C07-00		
4	TERMINAL	BRASS STRIP	12	Ag PLATED OVER Ni PLATED				UNIT : MM	SCALE: 3:1	DWN. ZHOUYU 2004-9-6
3	BASE	PHENOLIC RESIN	1	NATURAL				CHK'D	FANGYING	2004-9-6
2	KNOB	POM	1	BLACK				APPD.	KANGXINAN	2004-9-6
1	FRAME	STEEL STRIP	1	Ni PLATED				ALL MATERIALS MUST BE COMPLIANT TO ROHS		